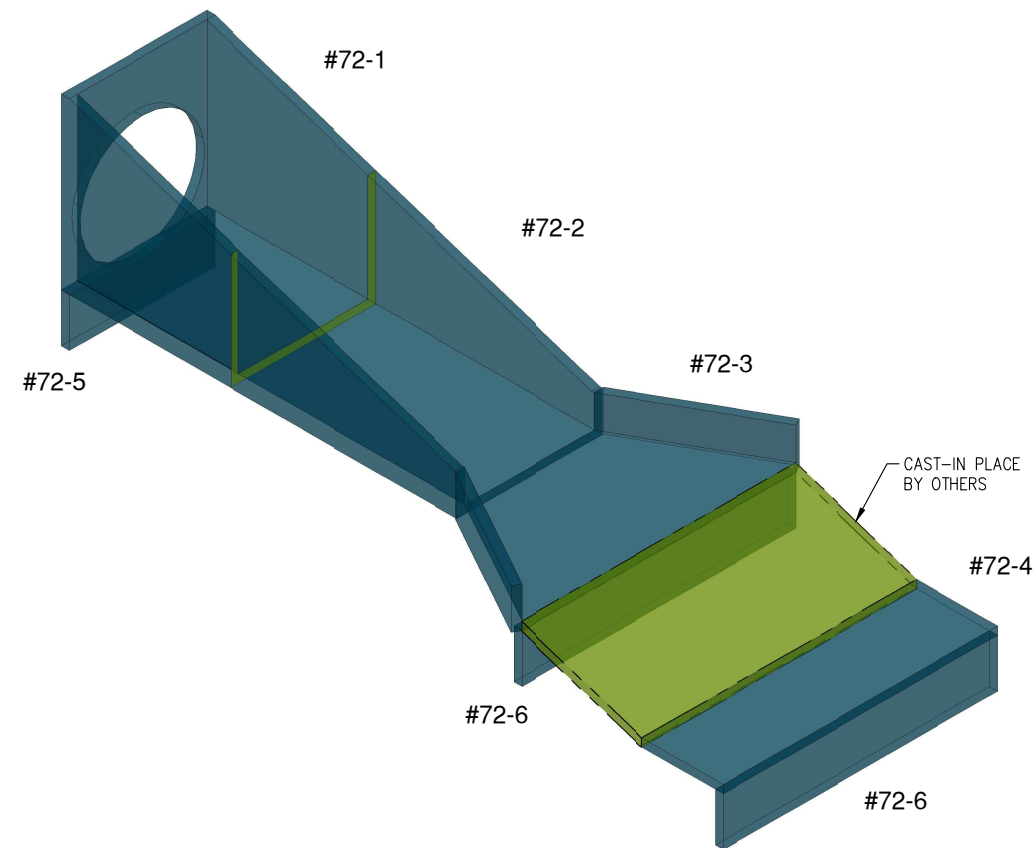
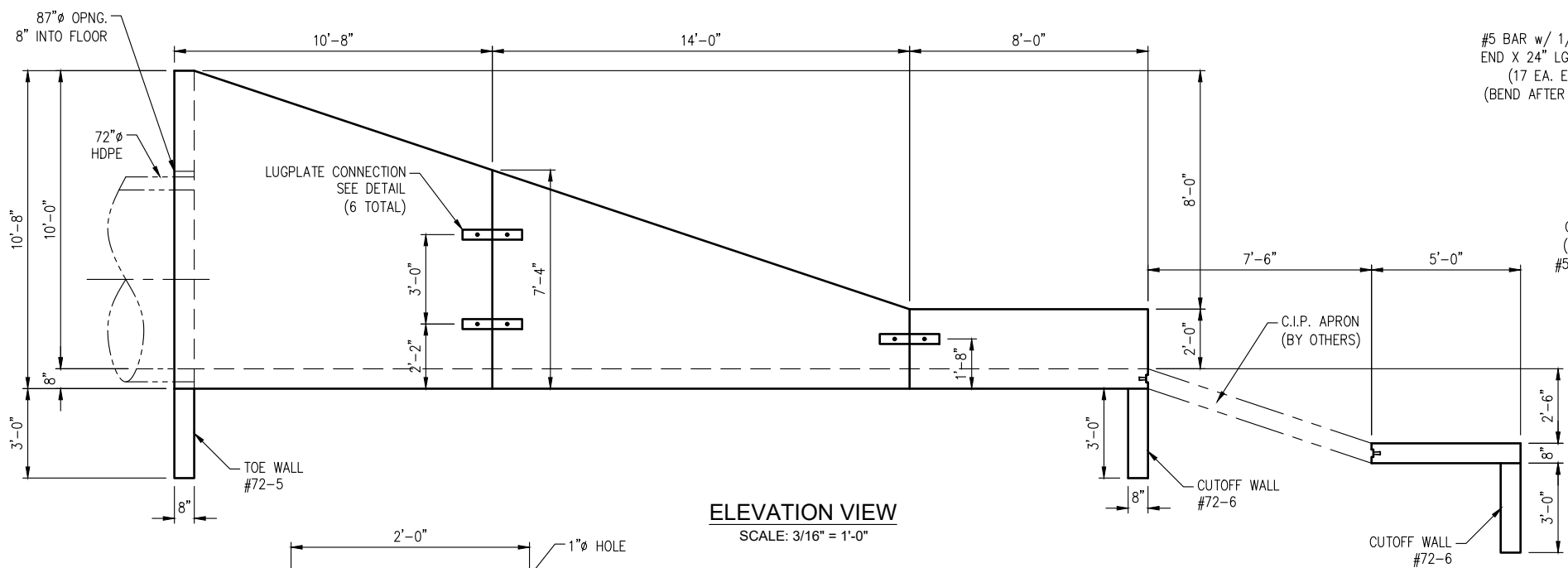


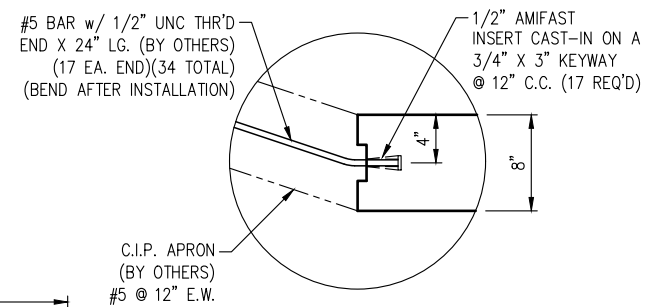
PLAN VIEW
SCALE: 3/16" = 1'-0"



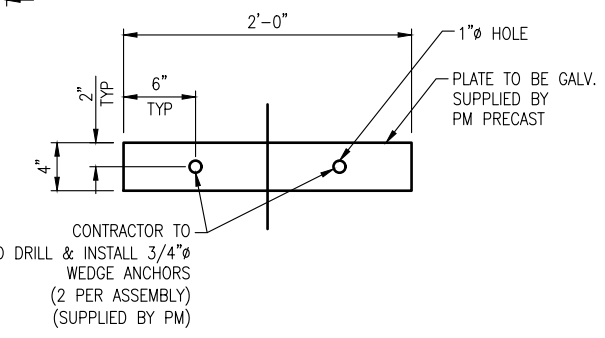
ISOMETRIC VIEW
SCALE: NTS



ELEVATION VIEW
SCALE: 3/16" = 1'-0"



C.I.P. CONNECTION DETAIL
SCALE: 3/4" = 1'-0"



LUGPLATE DETAIL
SCALE: 3/4" = 1'-0"

NOTES:
REINFORCEMENT: 6"X6" D13/D13 MESH
COVER: 4" TYP.
CONCRETE: 5000 PSI @ 28 DAYS

SECTION SCHEDULE				
SECTION	REQ'D	WT. (LBS)	WT. (TONS)	CU. YDS
#72-1	1	24,291	12.15	6.00
#72-2	1	18,219	9.11	4.50
#72-3	1	12,146	6.07	3.00
#72-4	1	6,073	3.04	1.50
#72-5	1	2,024	1.01	0.50
#72-6	2	4,049	2.02	1.00

BILL OF MATERIALS	
QTY	DESCRIPTION
6	LUGPLATE ASSEMBLY
32	UTILITY ANCHOR - 6" X .671" Ø
34	1/2" AMIFAST INSERTS

2 REQUIRED

PRECAST MANUFACTURING CO.

187 STRYKER ROAD PHILLIPSBURG, NJ 08865 WWW.PRECASTMFGCO.COM PHONE: 908-454-2122 FAX: 908-454-0512

THIS DOCUMENT IS THE PROPERTY OF PRECAST MFG. CO. IT IS CONFIDENTIAL, SUBMITTED FOR REFERENCE PURPOSES ONLY AND SHALL NOT BE USED IN ANY WAY INJURIOUS TO THE INTERESTS OF, OR WITHOUT THE WRITTEN PERMISSION OF PRECAST MFG. CO.

78" PIPE OUTLET STRUCTURE

DRAWING TYPE: SUBMITTAL
PROJECT: I-78
LOCATION: PHILLIPSBURG, NJ

CUSTOMER: **PETILLO INC.** JOB NUMBER: 9136
DRAWN: BW SALES: MZ DRAWING NUMBER:
REV. DATE: DATE: 4/19/2019 **PM-9136-002**