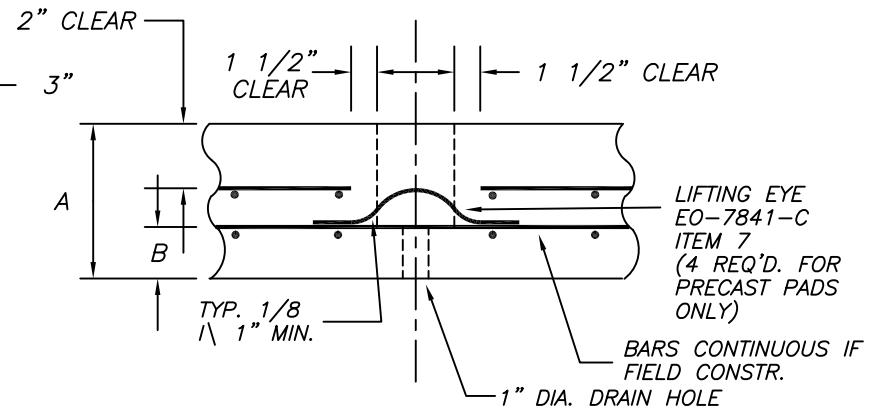


PLAN VIEW

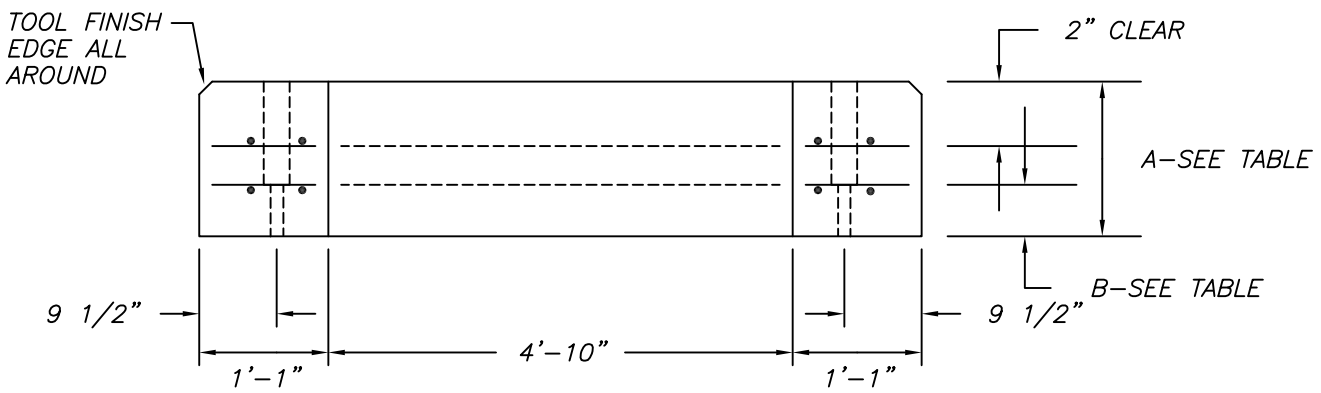


SECTION B-B

6"x3"x4" DEEP POCKET (4 REQ'D)

TABLE			
TYPE OF INSTALLATION	DIMENSIONS		APPROX. CONCRETE VOLUME
	A	B	
FIELD CONSTR			
PRECAST	7 1/2"	2"	1.13 CU. YDS.

- NOTES :
- * CON ED DWG. # EO-13775-C
 - * WEIGHTS :
 PRECAST PAD = 4,576 LBS.
 REINFORCEMENT = 225 LBS.
 - * CONCRETE TO TEST 4000 PSI @ 28 DAYS



SECTION A-A

Precast Manufacturing Co., LLC
 187 Strykers Road Phillipsburg, N.J. 08865
 Tel. (908) 454-2122 - Fax (908) 454-0512

CONT.		
JOB		
7'x7' TRANSFORMER PAD		
DATE	DRAWN BY	DRAWING NO.
1 / 17	CLASSIC DESIGN	1084-84

TOOL FINISH
 EDGE ALL
 AROUND

ALL REINF. BARS TO
 BE # 4 BARS EACH
 WAY TOP & BOTTOM