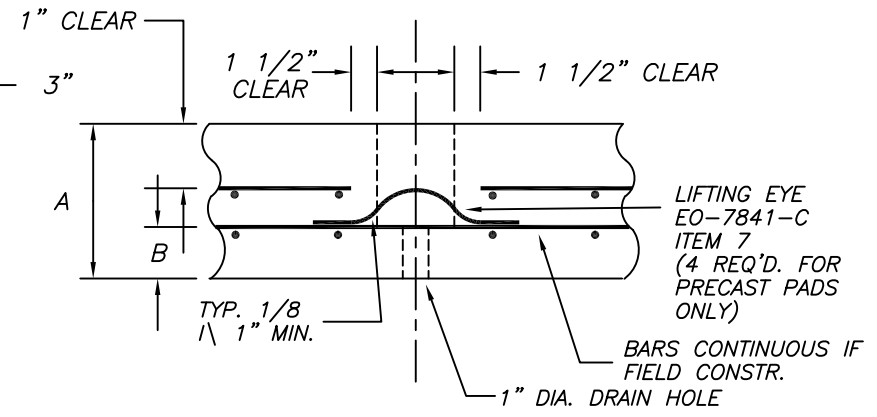


PLAN VIEW

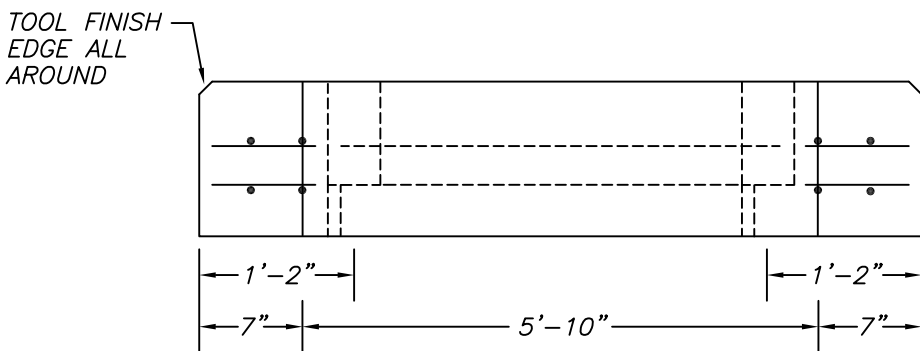


SECTION B-B

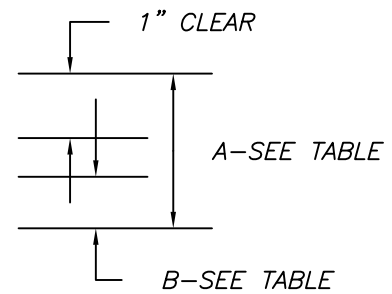
6"x3"x3 1/2" DEEP POCKET (4 REQ'D)

TABLE			
TYPE OF INSTALLATION	DIMENSIONS		APPROX. CONCRETE VOLUME
	A	B	
FIELD CONSTR			
PRECAST	6 1/2"	1"	0.84 CU. YDS.

- NOTES :
- \* CON ED DWG. # EO-12541-C
  - \* WEIGHTS :  
PRECAST PAD = 3,414 LBS.  
REINFORCEMENT = 200 LBS.
  - \* CONCRETE TO TEST 4000 PSI @ 28 DAYS



SECTION A-A



Precast Manufacturing Co., LLC  
 187 Strykers Road Phillipsburg, N.J. 08865  
 Tel. (908) 454-2122 - Fax (908) 454-0512

CONT.		
JOB		
<b>6'x7' TRANSFORMER PAD</b>		
DATE	DRAWN BY	DRAWING NO.
1 / 17	CLASSIC DESIGN	1072-84

ALL REINF. BARS TO BE # 4 BARS EACH WAY TOP & BOTTOM

TOOL FINISH EDGE ALL AROUND