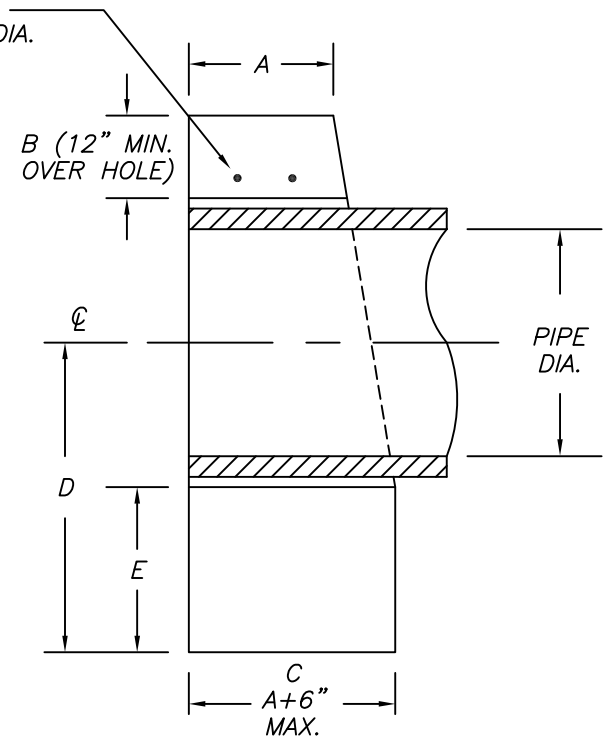


FRONT VIEW

1-#5 E.F.  
LENGTH=3X PIPE DIA.

F-OVERSIZED HOLE,  
SIZE=PIPE O.D. + 4"  
PIPE TO BE SECURELY  
MORTARED IN HOLE BY  
CONTRACTOR IN FIELD.



SECTION

CUSTOMER SPECIFICATIONS  
AS REQUIRED

SYM.	DIMENSIONS
A	
B	
C	
D	
E	
F	
L	
H	
PIPE DIA.	

NOTES :

- \* CONCRET TO TEST 4000 PSI @ 28 DAYS
- \* REINFORCEMENT AS REQUIRED BY DESIGNER.  
IF NONE SPECIFIED, MANUFACTURER TO PROVIDE  
SUFFICIENT TO WITHSTAND HANDLING STRESSES.

Precast Manufacturing Co. , LLC 187 Strykers Road Phillipsburg , N.J. 08865 Tel. (908) 454-2122 - Fax (908) 454-0512		
CONT.		
JOB		
<b>CONCRETE HEADWALL</b>		
DATE	DRAWN BY	DRAWING NO.
1 / 17	CLASSIC DESIGN	9-5