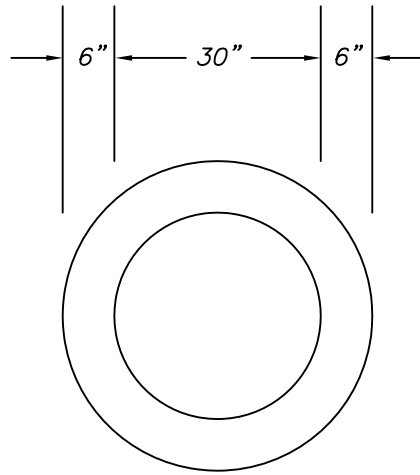
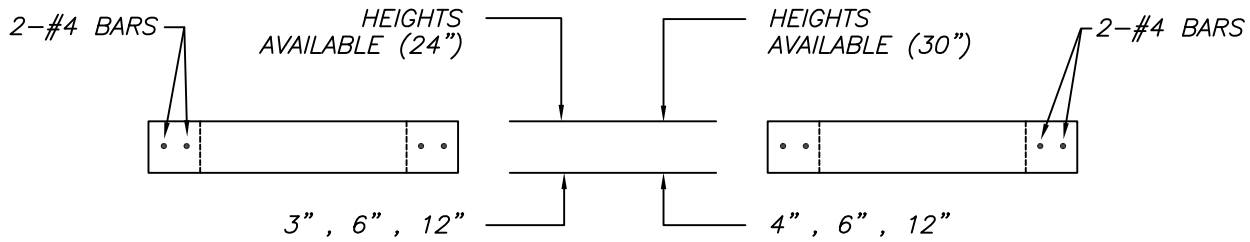


PLAN VIEW



PLAN VIEW



SECTION

SECTION

- NOTES :
- * CONCRETE TO TEST 4000 PSI @ 28 DAYS
 - * APPROX. WEIGHTS=
 - 24" DIA.=49 LBS. PER INCH
 - 30" DIA.=59 LBS. PER INCH

Precast Manufacturing Co. , LLC		
187 Strykers Road Phillipsburg , N.J. 08865		
Tel. (908) 454-2122 - Fax (908) 454-0512		
CONT.		
JOB		
MANHOLE GRADE EXTENSIONS		
DATE	DRAWN BY	DRAWING NO.
1 / 17	CLASSIC DESIGN	800