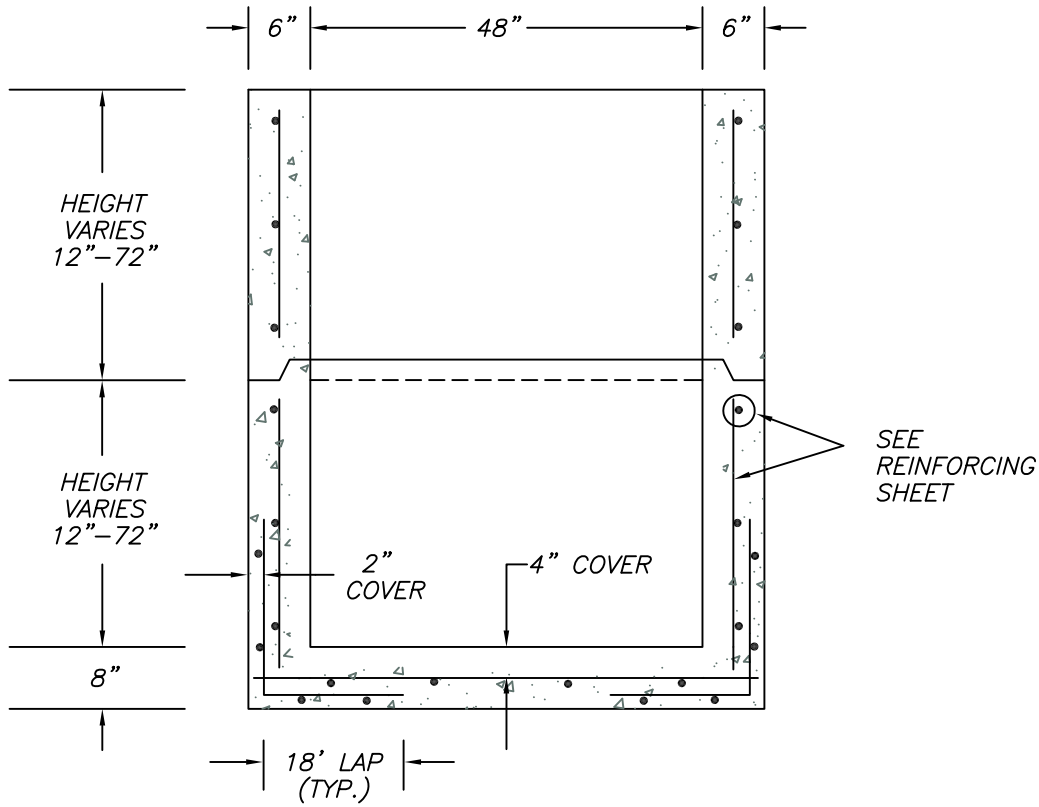


PLAN VIEW



SECTION A-A

NOTES :

- *CONCRETE : 4,000 PSI @ 28 DAYS
- *REINFORCING : AS PER ASTM A-615 GRADE 60 REBAR

<i>Precast Concrete Sales Co.</i>		
123 Route 303 Valley Cottage , N.Y. 10989		
Tel. (845) 268-4949 - Fax (845) 268-4376		
CONT.		
JOB		
STATE OF NEW JERSEY CONCRETE INLET TYPE "A"		
DATE	DRAWN BY	DRAWING NO.
1/16	CLASSIC DESIGN	2-N.J.-A