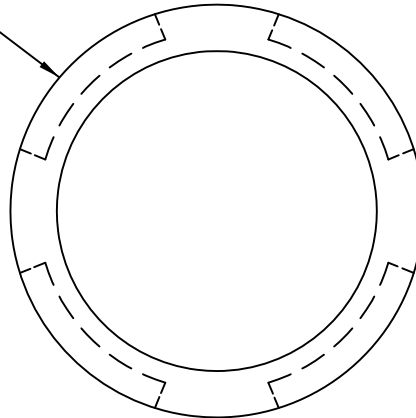
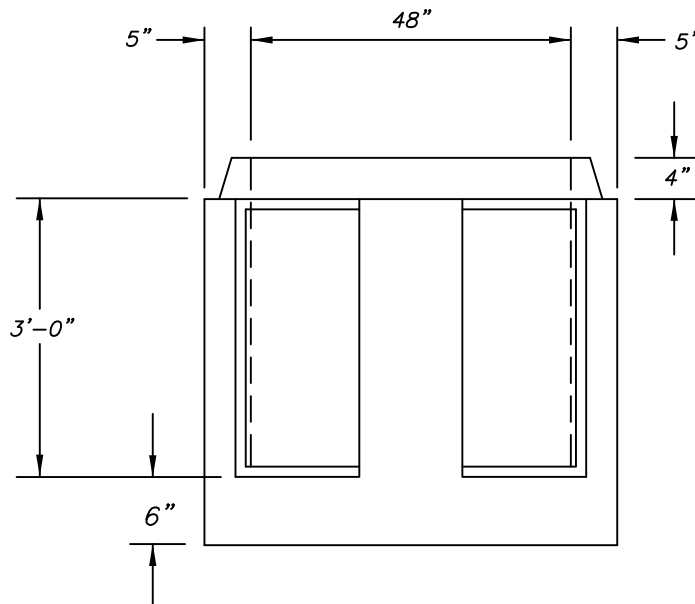


4 KNOCKOUT PANELS
PER UNIT



PLAN VIEW



BASE ELEVATION

NOTES:

- EACH KNOCKOUT HAS FOUR 2'-0" WIDE x 2'-0" HIGH KNOCKOUT PANELS
- PANELS ARE 2" THICK
- APPROX. WEIGHT - 3,400 LBS
- UNITS COMPATIBLE WITH STANDARD 48" DIA. MANHOLE SECTIONS
- CONCRETE TO TEST 4000 PSI @ 28 DAYS
- IN CONFORMANCE WITH ASTM C-478
- DESIGN FOR H2O LOADING

Precast Manufacturing Co. , LLC
187 Strykers Road Phillipsburg , N.J. 08865
Tel. (908) 454-2122 - Fax (908) 454-0512

CONT.		
JOB		
48" DIA. KNOCKOUT MANHOLE		
DATE	DRAWN BY	DRAWING NO.
1 / 17	CLASSIC DESIGN	3-4K